

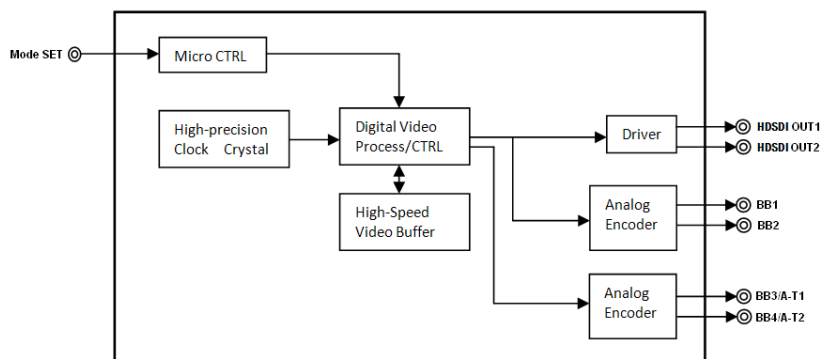
Based on Mini BOX platform, MIO-TSG-HD generates 2 international test pattern by the HD digital interfaces, also supplies 4 black burst signals. The cost effective greatly meets the requirements of many and many broadcast system. .



Function characteristics

- Supply black burst and digital test pattern signals
- Broadcast quality with 20 bit processing
- Inner international standard test pattern
- Based on Mini BOX platform, with high performance, widely used in the fields of studio, broadcast and other places

Principle diagram and connect Interface



Specification parameter

Analog Video Output:

Output interface: 2*BB, BNC
2*BB/A-T (Analog test signal)
Impedance: 75ohms

Digital Video Output:

Output interface: 2*HD/SD-SDI, BNC
Impedance: 75ohms
Format: SMPTE 292M; 1.5Gbit/s
SMPTE 259M-C; 270Mb/s

Amplitude: 800mV ± 10%
Jitter: <0.2UI(100kHz)

Status Indication:

Power states (Indicate by shining or extinguishing of the red and green LED)

Physics:

Dimension: 124.5mm x116.5mm x30mm
Power: DC 11-13V/1.5A

Ordering information

MIO TSG Sync. and test signal generator
MIO TSG_HD HD-SDI sync. and testing signal generator