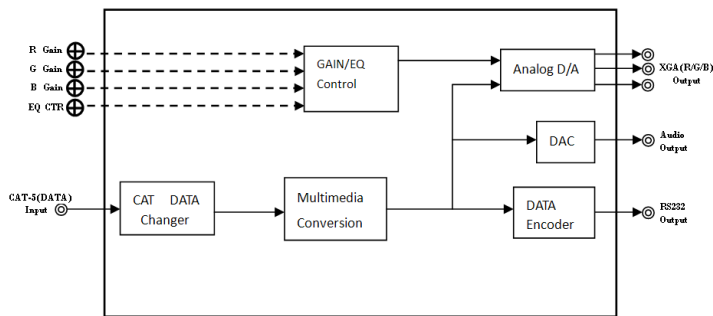


VGA/Audio/RS232 signal transmitter

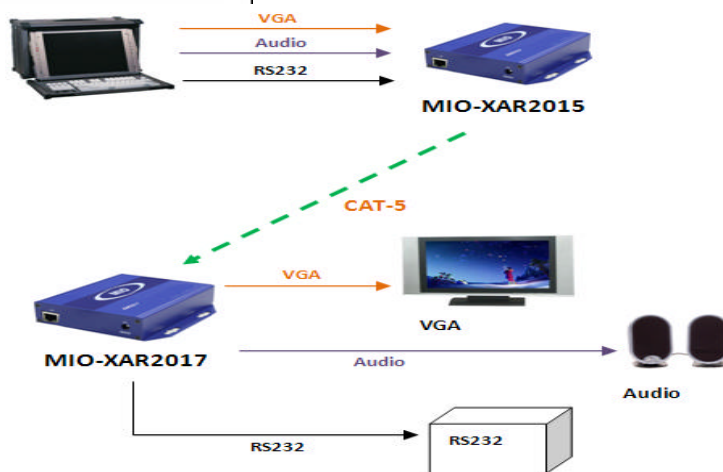
Description

MIO-XAR2017 VGA/Audio/RS-232 signal transmitter transforms VGA, Audio and RS232 signals to one channel data, and transmits by CAT-5. It can be connected with MIO-XAR2015 receiver to restore VGA, Audio and RS-232 without any distortion in long distance transmission. The power indicator shows the working status of power supply. The turn button is used to adjust output signal quality.

Block Diagram



Application



Ordering Information

MIO XAR-2015	VGA/Audio/RS232 signal transmitter
MIO XAR-2016	VGA/Audio/RS232signal distribution transmitter
MIO XAR-2017	VGA/Audio/RS232signal receiver

Key Features

Unique mini box structure; can be installed on the video wall or on the back of racket.

The max resolution is 1280*1024; the longest transmission distance is 330m, the transmission image with no distortion, good stability, high anti-interference ability.

Output signal R/G/B can be adjusted separately, manual adjusts compensation image.

Within 100 meters, electrify transmitting terminal or sending terminal, the other side can work with a reticule.

Specifications

Input features:

Inputinterface: 1*RGB, D-sub connection

1* Audio, 3.5 mm stereo

1*RS232, 2 pin interface

Standard level: 1.0Vp -p

Impedence: 75Ω

Output features:

Output interface: 1*CAT-5

Interface type: RJ45 standard interface

Bandwidth: 350MH (-3db) fully loaded

Physics:

Size: 120 X 95 X 27 mm

Power: DC 7V 1.8A

Control and indicator:

Line-field phase adjustable/power status indicator/CAT-5 signal status indicator