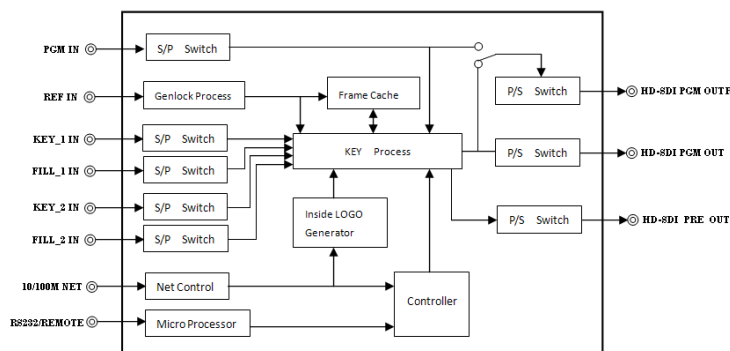


### Description

VIO Keyer-L series is a complete HD/SD Keyer with inner Logo insertion that will key one-or more (up to 4) static/animated "bugs" over an HD or SD video signal. It has a built-in web server, through the Internet explorer browser, user can create logos via importing TGA\TAG series\AVI\MOV etc format pictures . The size of each logo is variable and ranges from 1/25th to full screen. The position and transparency of the logo are programmable.

VIO Keyer-L provides SDI output for preview, two SDI program outputs which one is bypass output without power supply. Remote control panel going together with it will be putted on the operator desk so users can control keys down or up freely and easily. VIO Keyer-L is ideal for the "On-Air" environment.

### HD Version Block Diagram



### Outlook



### Ordering Information

Model	Description
VIO Keyer-HD	Dual ch. HD/SD-SDI keyer
VIO Keyer RCP	Dual ch. HD/SD-SDI keyer remote control panel
VIO Logo-HD	HD/SD-SDI logo generator, BB input for genlock;1 ch. HDSDI Fill output;1 ch. HDSDI key output
VIO Logo-HDL	Dual ch. HD/SD-SDI keyer & logo generator
VIO Logo-HDL RCP	Dual ch. HD/SD-SDI keyer & logo generator remote control panel

### Key Features

- SMPTE 259M-C, SMPTE 292M standard
- 10 bit in and out, 12 bit processing
- 100% linear keying with adjustable transparency
- Handles embedded audio
- EDH inserted on program output
- Auto timing of program, key and fill
- 200 meters automatic cable equalization
- 1RU mainframe and remote panel
- RCP and RS-232/422 inputs for control
- Full control and status is provided from the front panel display
- Built-in SNMP

### Specifications

#### PGM input

Input interface: 1\*HD-SDI, BNC, 75Ω  
Format: SMPTE 292M; 1.5Gbit/s

#### Reference input

1\*CVBS, BNC, 75Ω

#### Digital video output

Output interface: 3\*HD-SDI, BNC, 75Ω  
Format: SMPTE 292M; 1.5Gbit/s

#### Digital (FILL) video output

Input interface: 2\*HD-SDI, BNC, 75Ω  
Format: SMPTE 292M; 1.5Gbit/s

#### Digital (KEY) video output

Input interface: 2\*HD-SDI, BNC, 75Ω  
Format: SMPTE 292M; 1.5Gbit/s

#### Control

Image phase adjustment: H/V/SC  
System: PAL/NTSC  
Control types: Auto/manual

#### Status director

PGM input status/power status

#### Power

2\*120W redundancy