

VIO Keyer-HD

Dual ch. HD/SD-SDI keyer



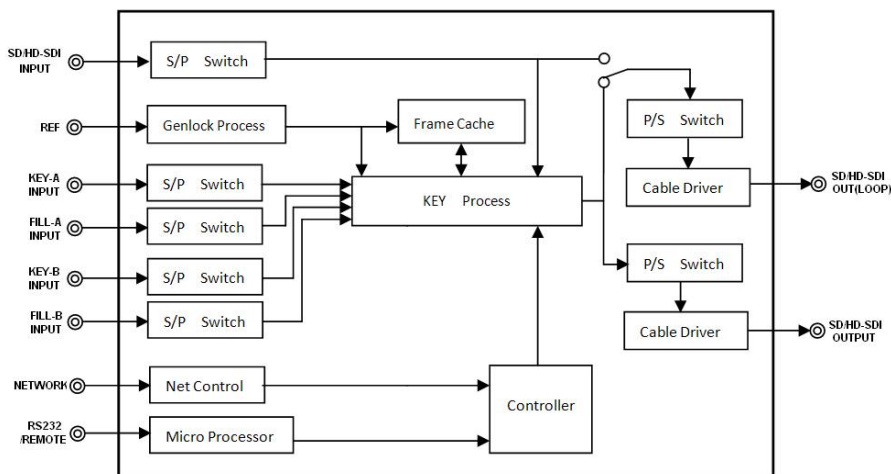
Description

VIO keyer-HD is a high definition (1080i) downstream keyer to mix the serial component digital key and fill HD signals from logo generators or/and character generator machines in HD living program. It incorporates the latest technology to provide an advanced fully digital keyer. User can select 1-2 stand alone channels on the basis of his needs.

VIO keyer-HD provides SDI output for preview, two SDI program outputs which one is bypass output without power supply. Remote control panel going together with it will be putted on the operator desk so users can control keys down or up freely and easily. VIO keyer-HD is ideal for the "On-Air" environment.

The SNMP and RS-232 control protocol are built in the machine. All the configuration and operation can be done by three ways, which are MCU on front panel, software on workstation and remote control panel.

Block Diagram



Key Features

- 10 bit in and out, 12 bit processing
- Program output bypass protected for on-air applications
- Auto-timing key, fill, and background inputs (up to 1 line)
- RCP and RS-232/422 inputs for control
- Full control and status is provided from the front panel display
- Built-in SNMP
- Support bypass once poweroff
- Standard 1U frame
- Redundant PSU unites and fans

Specifications

PGM input

Input interface: 1* HD-SDI, BNC, 75Ω
Format: SMPTE 292M; 1.5Gbit/s 108050i

Reference input

1*CVBS, BNC, 75Ω

Digital video output

Output interface: 2*HD-SDI, BNC, 75Ω(one is bypass)
Format: SMPTE 292M; 1.5Gbit/s 108050i

Digital (FILL) video input

Input interface: 2*HD-SDI, BNC, 75Ω
Format: SMPTE 292M; 1.5Gbit/s 108050i

Digital (KEY) video input

Input interface: 2*HD-SDI, BNC, 75Ω
Format: SMPTE 292M; 1.5Gbit/s 108050i

Control

Image phase adjustment: H/V/SC
System: PAL/NTSC
Control types: Auto/manual

Status director

PGM input status/power status

Power

2*120W redundancy

Ordering Information

Model	Description
VIO Keyer-HD	Dual ch. HD/SD-SDI keyer
VIO Keyer RCP	Dual ch. HD/SD-SDI keyer remote control panel
VIO Logo-HD	HD/SD-SDI logo generator. BB input for genlock;1 ch. HDSDI Fill output;1 ch. HDSDI key output
VIO Logo-HDL	Dual ch. HD/SD-SDI keyer & logo generator
VIO Logo-HDL RCP	Dual ch. HD/SD-SDI keyer & logo generator remote control panel